

STAINLESS STEEL WORKTABLES FF1-SERIES— FULLY ENCLOSED WORKTABLE W/ BACKSPLASH & UNDERSHELF

PROJECT#: _____

ITEM# _____

MODEL# _____

SPECIFICATIONS:

ECONOMY— EFF1-Series: 400 Series Stainless Top, 400 Series Stainless Body & 400 Series Stainless Undershef

TOP: 16 GA.
400 Series Stainless

SHELF: 18 GA.
400 Series Stainless

BODY & DOORS: 20 GA.
400 Series Stainless

LEGS: 1 1/2" Square
Tubular Stainless Steel

STANDARD— SFF1-Series: 300 Series Stainless Top, 300 Series Stainless Body & 300 Series Stainless Undershef

TOP: 16 GA.
300 Series Stainless

SHELF: 18 GA.
300 Series Stainless

BODY & DOORS: 20 GA.
300 Series Stainless

LEGS: 1 1/2" Square
Tubular Stainless Steel

HEAVY DUTY— HFF1-Series: 300 Series Stainless Top, 300 Series Stainless Body & 300 Series Stainless Undershef

TOP: 14 GA.
300 Series Stainless

SHELF: 16 GA.
300 Series Stainless

BODY & DOORS: 18 GA.
300 Series Stainless

LEGS: 1 1/2" Square
Tubular Stainless Steel

CONSTRUCTION:

- ◆ All Table Connection Points Fully Welded for Maximum Rigidity and Long Life
- ◆ S/S Adjustable Bullet Feet
- ◆ Sound Deadening Between Top and Reinforcing Channel
- ◆ Stainless Steel Sliding Doors Mounted on Glides with Rollers for Easy Opening and Closing
- ◆ Offsets on Body Ends for Flush Fit
- ◆ S/S Undershef Welded to Legs
- ◆ Table is Polished to #3 Finish
- ◆ Working Height 35" to 36 1/4"

○ Amtekco Industries - Columbus, OH —Phone: (800) 336-4677

○ N. Wasserstrom & Sons - Columbus, OH —Phone: (800) 444-4697

○ DCS IV - Peoria, AZ—Phone: (800) 592-3274

○ GEN III - Fountain Inn, SC—Phone: (800)673-3339

○ GKS - Garland, TX—Phone (972) 485-4579

SPECIFICATIONS SUBJECT TO CHANGE WITHOUT NOTICE 01/09

ECONOMY - EFF1 - SERIES						
24" WIDE	QTY	30" WIDE	QTY	36" WIDE	QTY	LENGTH (INCHES)
EFF1-2424		EFF1-3024		EFF1-3624		24
EFF1-2430		EFF1-3030		EFF1-3630		30
EFF1-2436		EFF1-3036		EFF1-3636		36
EFF1-2442		EFF1-3042		EFF1-3642		42
EFF1-2448		EFF1-3048		EFF1-3648		48
EFF1-2454		EFF1-3054		EFF1-3654		54
EFF1-2460		EFF1-3060		EFF1-3660		60
EFF1-2466		EFF1-3066		EFF1-3666		66
EFF1-2472		EFF1-3072		EFF1-3672		72
EFF1-2478		EFF1-3078		EFF1-3678		78
EFF1-2484		EFF1-3084		EFF1-3684		84
EFF1-2490		EFF1-3090		EFF1-3690		90
EFF1-2496		EFF1-3096		EFF1-3696		96
EFF1-24102		EFF1-30102		EFF1-36102		102
EFF1-24108		EFF1-30108		EFF1-36108		108
EFF1-24114		EFF1-30114		EFF1-36114		114
EFF1-24120		EFF1-30120		EFF1-36120		120

STANDARD - SFF1 - SERIES						
24" WIDE	QTY	30" WIDE	QTY	36" WIDE	QTY	LENGTH (INCHES)
SFF1-2424		SFF1-3024		SFF1-3624		24
SFF1-2430		SFF1-3030		SFF1-3630		30
SFF1-2436		SFF1-3036		SFF1-3636		36
SFF1-2442		SFF1-3042		SFF1-3642		42
SFF1-2448		SFF1-3048		SFF1-3648		48
SFF1-2454		SFF1-3054		SFF1-3654		54
SFF1-2460		SFF1-3060		SFF1-3660		60
SFF1-2466		SFF1-3066		SFF1-3666		66
SFF1-2472		SFF1-3072		SFF1-3672		72
SFF1-2478		SFF1-3078		SFF1-3678		78
SFF1-2484		SFF1-3084		SFF1-3684		84
SFF1-2490		SFF1-3090		SFF1-3690		90
SFF1-2496		SFF1-3096		SFF1-3696		96
SFF1-24102		SFF1-30102		SFF1-36102		102
SFF1-24108		SFF1-30108		SFF1-36108		108
SFF1-24114		SFF1-30114		SFF1-36114		114
SFF1-24120		SFF1-30120		SFF1-36120		120

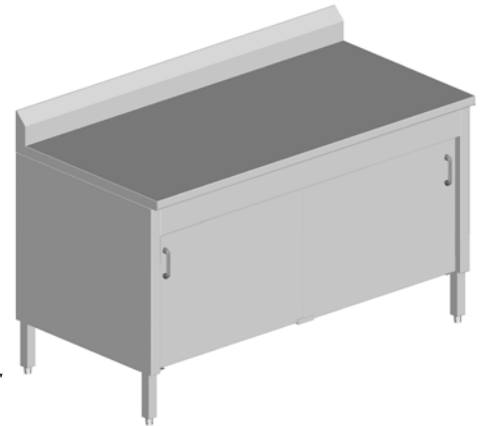
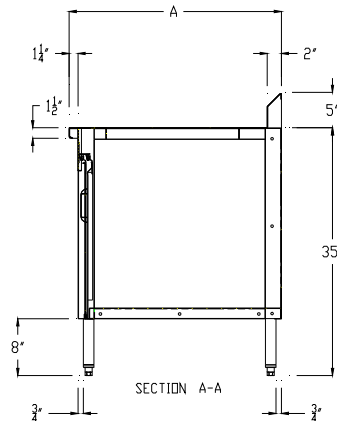
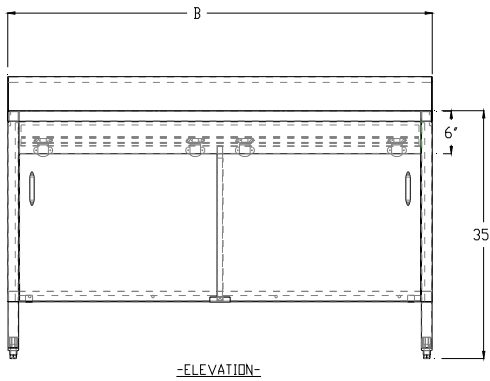
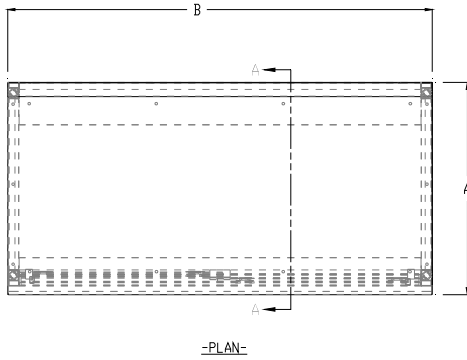
HEAVY DUTY - HFF1 - SERIES						
24" WIDE	QTY	30" WIDE	QTY	36" WIDE	QTY	LENGTH (INCHES)
HFF1-2424		HFF1-3024		HFF1-3624		24
HFF1-2430		HFF1-3030		HFF1-3630		30
HFF1-2436		HFF1-3036		HFF1-3636		36
HFF1-2442		HFF1-3042		HFF1-3642		42
HFF1-2448		HFF1-3048		HFF1-3648		48
HFF1-2454		HFF1-3054		HFF1-3654		54
HFF1-2460		HFF1-3060		HFF1-3660		60
HFF1-2466		HFF1-3066		HFF1-3666		66
HFF1-2472		HFF1-3072		HFF1-3672		72
HFF1-2478		HFF1-3078		HFF1-3678		78
HFF1-2484		HFF1-3084		HFF1-3684		84
HFF1-2490		HFF1-3090		HFF1-3690		90
HFF1-2496		HFF1-3096		HFF1-3696		96
HFF1-24102		HFF1-30102		HFF1-36102		102
HFF1-24108		HFF1-30108		HFF1-36108		108
HFF1-24114		HFF1-30114		HFF1-36114		114
HFF1-24120		HFF1-30120		HFF1-36120		120

STAINLESS STEEL WORKTABLES FF1-SERIES — FULLY ENCLOSED WORKTABLE W/ BACKSPLASH & UNDERSHELF

PROJECT#: _____

ITEM# _____

MODEL# _____



- ◆ 35" Working Height is with Adj. Bullet Feet in Shortest Position
- ◆ Tables At or Above 78" Will Require (3) Sets of Legs.

A WIDTH	B LENGTH	EFF1 - SERIES 16 GA. 400 SERIES S/S TOP & 18 GA. 400 SERIES S/S UNDERSHELF	SFF1 - SERIES 16 GA. 300 SERIES S/S TOP & 18 GA. 300 SERIES S/S UNDERSHELF	HFF1 - SERIES 14 GA. 300 SERIES S/S TOP & 16 GA. 300 SERIES S/S UNDERSHELF	#Of Legs	Product Weight (lbs)
24" WIDE						
24	24	EFF1-2424	SFF1-2424	HFF1-2424	4	96
24	30	EFF1-2430	SFF1-2430	HFF1-2430	4	118
24	36	EFF1-2436	SFF1-2436	HFF1-2436	4	139
24	48	EFF1-2448	SFF1-2448	HFF1-2448	4	166
24	60	EFF1-2460	SFF1-2460	HFF1-2460	4	194
24	72	EFF1-2472	SFF1-2472	HFF1-2472	4	222
24	84	EFF1-2484	SFF1-2484	HFF1-2484	6	249
24	96	EFF1-2496	SFF1-2496	HFF1-2496	6	277
24	108	EFF1-24108	SFF1-24108	HFF1-24108	6	304
24	120	EFF1-24120	SFF1-24120	HFF1-24120	6	332
30" WIDE						
30	24	EFF1-3024	SFF1-3024	HFF1-3024	4	89
30	30	EFF1-3030	SFF1-3030	HFF1-3030	4	113
30	36	EFF1-3036	SFF1-3036	HFF1-3036	4	136
30	48	EFF1-3048	SFF1-3048	HFF1-3048	4	165
30	60	EFF1-3060	SFF1-3060	HFF1-3060	4	195
30	72	EFF1-3072	SFF1-3072	HFF1-3072	4	225
30	84	EFF1-3084	SFF1-3084	HFF1-3084	6	254
30	96	EFF1-3096	SFF1-3096	HFF1-3096	6	284
30	108	EFF1-30108	SFF1-30108	HFF1-30108	6	313
30	120	EFF1-30120	SFF1-30120	HFF1-30120	6	343
36" WIDE						
36	24	EFF1-3624	SFF1-3624	HFF1-3624	4	114
36	30	EFF1-3630	SFF1-3630	HFF1-3630	4	141
36	36	EFF1-3636	SFF1-3636	HFF1-3636	4	167
36	48	EFF1-3648	SFF1-3648	HFF1-3648	4	199
36	60	EFF1-3660	SFF1-3660	HFF1-3660	4	232
36	72	EFF1-3672	SFF1-3672	HFF1-3672	4	265
36	84	EFF1-3684	SFF1-3684	HFF1-3684	6	297
36	96	EFF1-3696	SFF1-3696	HFF1-3696	6	330
36	108	EFF1-36108	SFF1-36108	HFF1-36108	6	362
36	120	EFF1-36120	SFF1-36120	HFF1-36120	6	395